

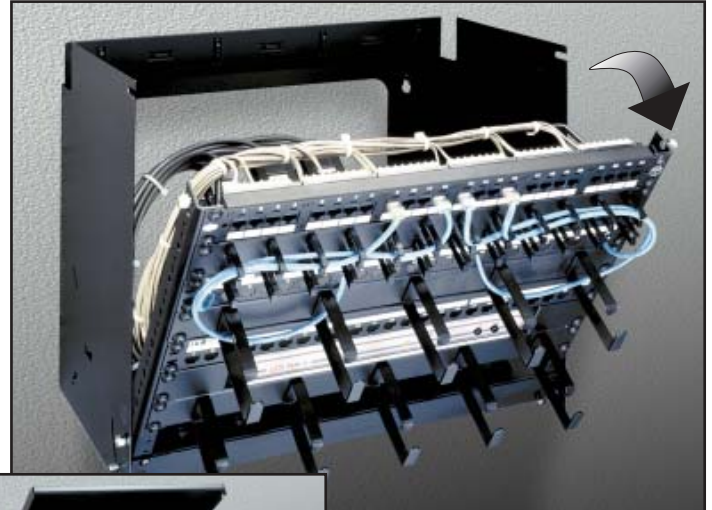
PPM Pivoting Panel Mounts



The PPM Series Unique pivoting design provides easy equipment rear access

Features

- Easy rear access provided by swinging rails down
- Innovative "positive stop" design facilitates punching down while fully open, opens 90°
- Abundant tie points for cable management
- Available in 6", 12" and 18" depths
- Rack screws & hook and loop cable management fasteners included
- Durable black powder coat finish



PPM-6-12



Optional security kit includes solid top cover and door, model # PPM-8-12K

PIVOTING PANEL ACCESSORIES
TOP COVER
LIFT-OFF DOOR

Architects' and Engineers' Specifications

EIA compliant 19" wall mount pivoting panel mount shall be Middle Atlantic Products model # PPM-__ (refer to chart). Useable height shall be __ rackspaces and useable depth shall be __" (refer to chart). PPM shall have a weight capacity of __ lbs. (refer to chart). Rack shall be 16-gauge steel, phosphate pre-treated with a durable black powder coat. Rackrail shall be 11-gauge steel with tapped 10-32 holes in universal EIA spacing. Pivoting panel mount shall feature pivoting design for easy rear access to equipment, and a positive stop on pivot to allow punching down while fully open, as well as abundant cable tie points to facilitate wire management.

Pivoting Panel Mount Security Kits shall include all features of PPM with additional top cover and door for enhanced security. Security kits shall be Middle Atlantic Products model # PPM-6-12K, PPM-8-12K and PPM-8-18K, and shall completely enclose PPM.

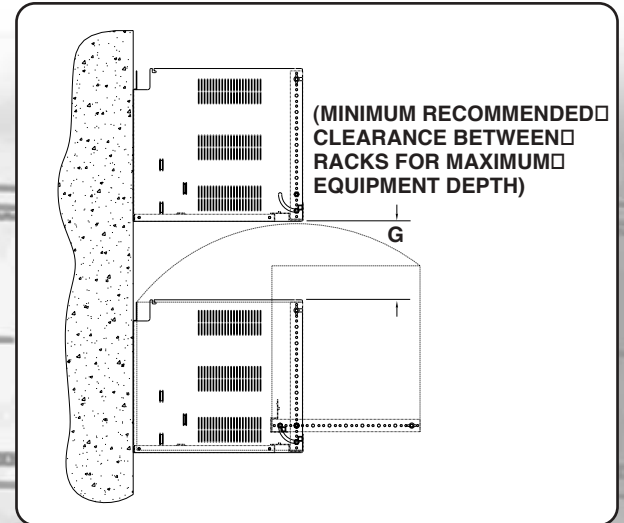
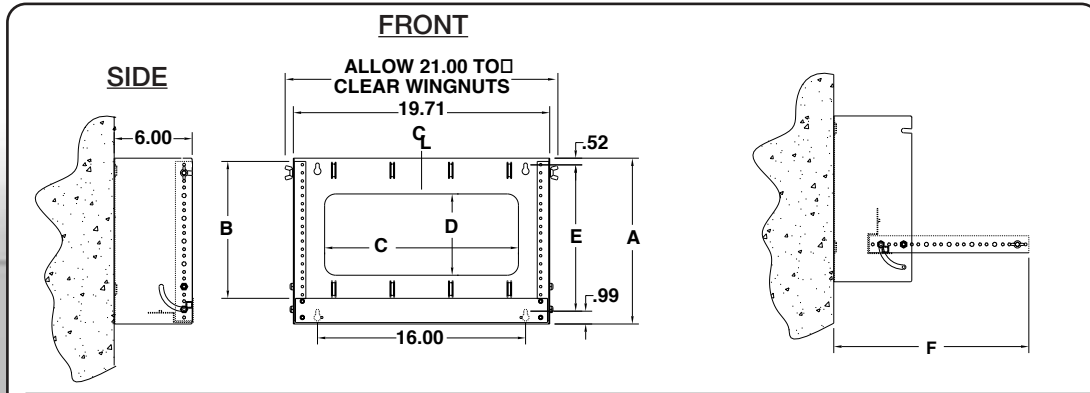
WEIGHT CAPACITIES:

PPM-2	20 Pounds
PPM-4	30 Pounds
PPM-6	30 Pounds
PPM-6-12	40 Pounds
PPM-8-12	60 Pounds
PPM-8-18	60 Pounds

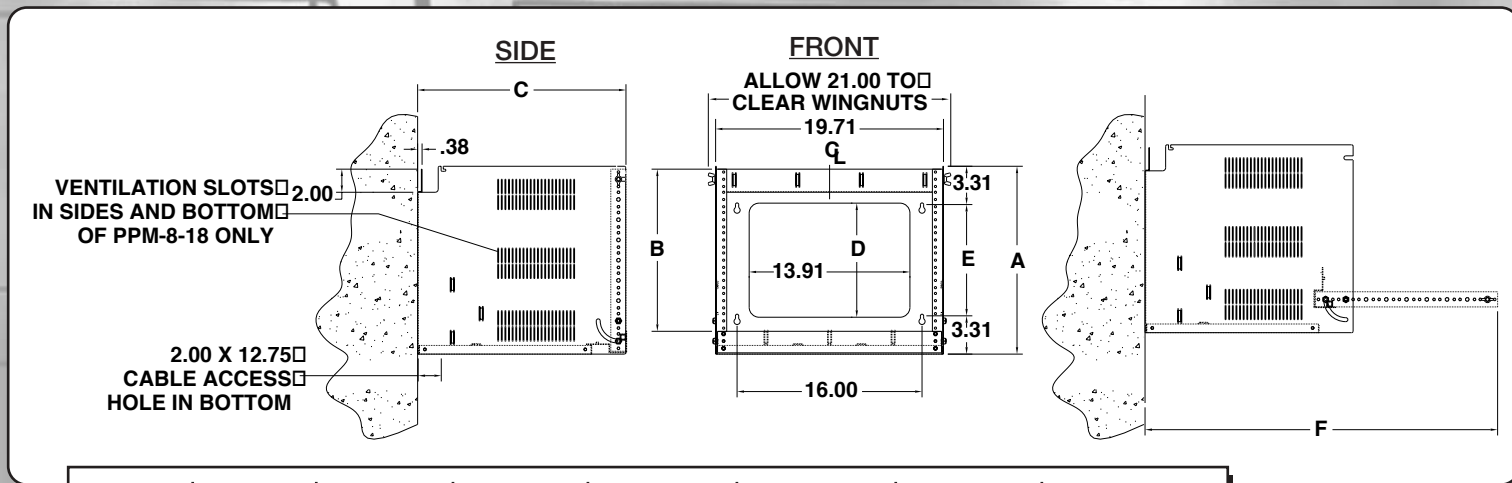
OPTIONS

- Top cover shall be model # PPM-LID12 for use with 12" deep PPM, model # PPM-LID18 for use with 18" deep PPM
- Lift-off door shall be model # PPM-DO6 for use with PPM-6-12, model # PPM-DO8 for use with PPM-8-12 / PPM-8-18. (To use door, top cover option is required) Lift-off door provides 3" door-to-rail clearance

PPM basic dimensions



PART #	A OVERALL HEIGHT	B USEABLE HEIGHT	C BACKPAN OPENING WIDTH	D BACKPAN OPENING HEIGHT	E MOUNTING HOLE DISTANCE	F MINIMUM WALL CLEARANCE	G CLEARANCE BETWEEN RACKS
PPM-2	5.75	3.50/ 2 SP	10.00	1.71	4.25	8.00	3.00
PPM-4	9.25	7.00/ 4 SP	9.50	3.00	7.75	11.50	1.75
PPM-6	12.75	10.50/ 6 SP	14.90	6.25	11.25	15.00	1.25



PART #	A OVERALL HEIGHT	B USEABLE HEIGHT	C OVERALL DEPTH	D BACKPAN OPENING HEIGHT	E MOUNTING HOLE DISTANCE	F MINIMUM WALL CLEARANCE	G CLEARANCE BETWEEN RACKS
PPM-6-12	12.75	10.50/ 6 SP	12.00	6.37	6.12	21.00	5.00
PPM-8-12	16.25	14.00/ 8 SP	12.00	9.87	9.62	24.50	4.00
PPM-8-18	16.25	14.00/ 8 SP	18.00	9.87	9.62	30.50	8.35