

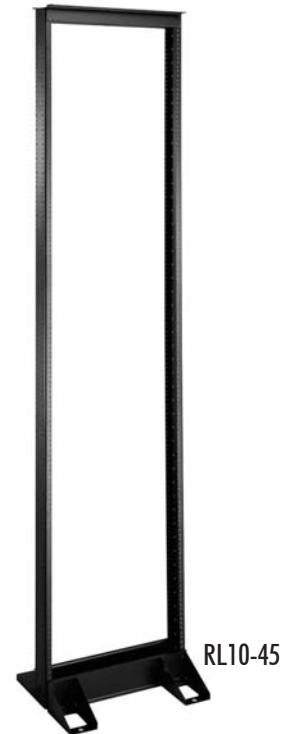
RL Series Open Frame Racks

TIA/EIA COMPLIANT

The RL Series 19" Open Frame Rack Self-squaring design greatly speeds assembly

Features

- Self-aligning design speeds field assembly
- 1600 lb. weight capacity
- 11-gauge steel channels available 10-32 or 12-24 threaded
- Gusseted foot base with taper on feet allows rack to self-stabilize on uneven floors
- Space between feet allows for placement of devices on floor close to rack (eg. UPS, etc.)
- 1/8" aluminum top angles, which can be easily field drilled for cable ladder installation
- Includes 50 qty. rack screws
- Durable black powder coat finish



(2) RL10-45 shown with optional cable organizers and covers

OPEN FRAME RACK ACCESSORIES
 CANTILEVER SUPPORT BASE
 CENTER CABLE ORGANIZER
 END CABLE ORGANIZER
 CABLE ORGANIZER COVERS

EIA compliant 19" open frame rack shall be Middle Atlantic Products model # RL-__ (refer to chart) with self-aligning design to speed field assembly. Overall dimensions of rack shall be 19.62" W x 15.25"D (5.5" deep at top) x __" H, with a useable rack height of __ rackspace (refer to chart). Weight capacity shall be 800 lbs., evenly distributed with the base securely fastened, and 1600 lbs., evenly distributed with the base of the rack securely fastened and the top of the rack braced to a structural building component (Note: Installation of open frame racks can vary widely with all types of conditions. Please note that mounting equipment in cantilever fashion, which effectively changes the center of gravity of the rack, will lessen the overall ability of the rack to bear weight). Relay rack channels shall be constructed of 11-gauge steel with tapped _____ (10-32 or 12-24, refer to chart) holes in universal EIA spacing, top angles shall be 0.125" thick aluminum which can be easily field drilled for cable ladder installation. Gusseted foot base shall have taper on feet to allow rack to self-stabilize on uneven floors. Open frame rack shall be finished in a durable black powder coat. Open frame rack shall be warranted to be free from defects in materials or workmanship under normal use and conditions for the lifetime of the rack.

OPTIONS

- CSB Cantilever support base
- CK-45 Center cable organizer (45 space)
- CK-45E End cable organizer (45 space)
- CK-45C Cable organizer covers (45 space)

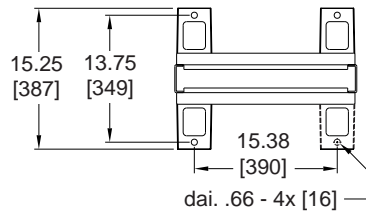
customizable specification clips available at middleatlantic.com

Engineered Mounting Solutions

RL basic dimensions

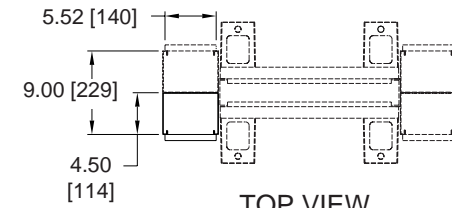
RL Series Open Frame Rack

All dimensions in inches unless otherwise noted [bracketed dimensions in millimeters]



TOP VIEW

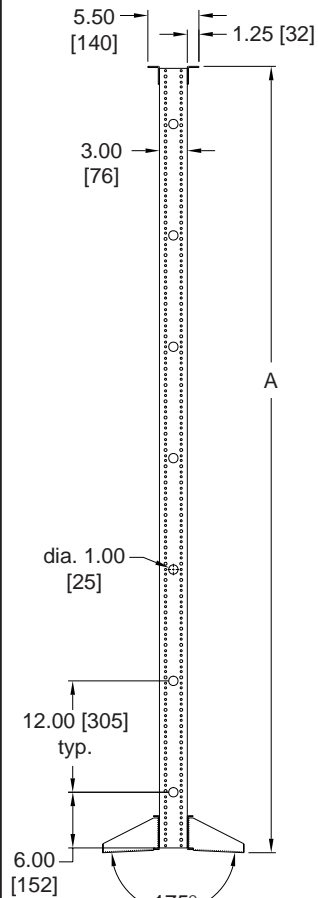
Part #	A OVERALL HEIGHT	B USEABLE RACKSPACES	THREAD TYPE
RL10-45	84.00 [2134]	45	10-32
RL10-38	72.00 [1829]	38	10-32
RL12-45	84.00 [2134]	45	12-24



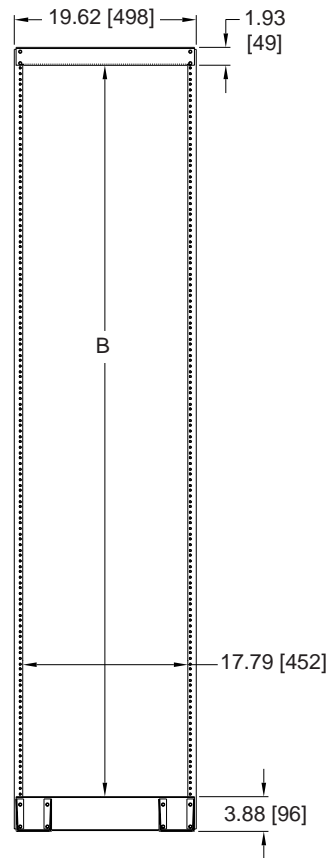
TOP VIEW

CK Series Cable Organizers (for RL10-45, RL12-45 only)

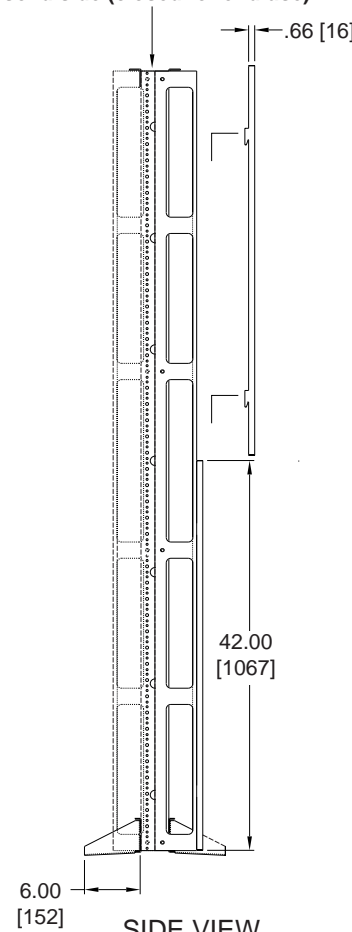
NOTE: CK-45 shown (open for center use). CK-45E features one solid side (closed for end use).



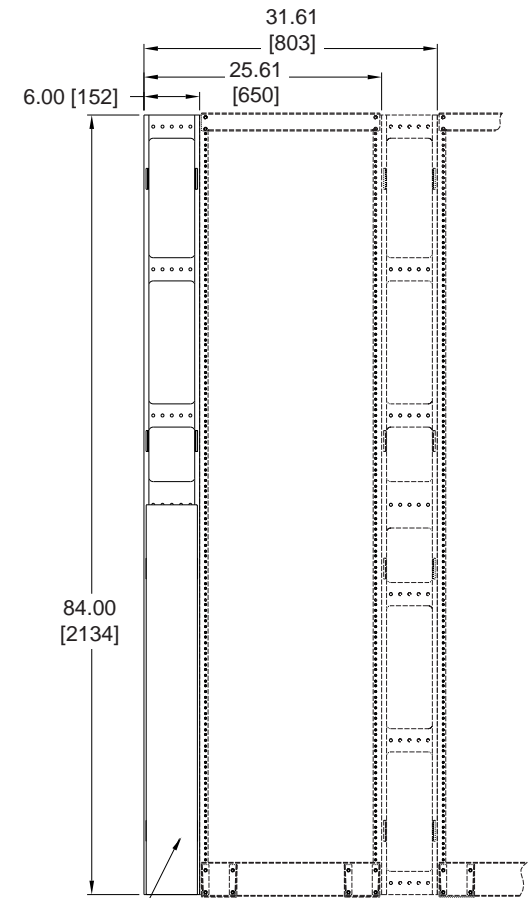
(ANTI-ROCK)
SIDE VIEW



FRONT VIEW



SIDE VIEW



FRONT VIEW

CK-45C
COVER
(2 pieces included
to cover one duct)